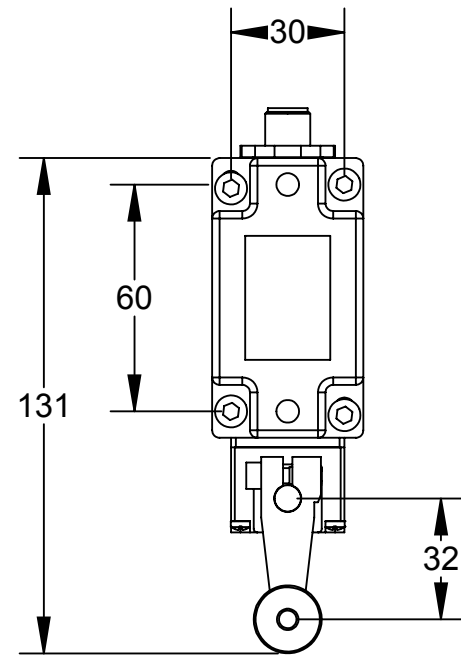
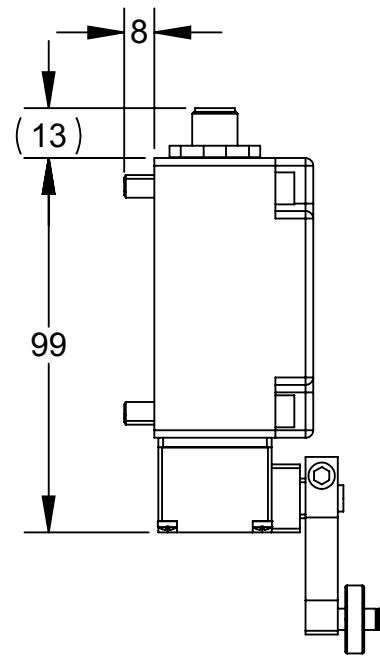
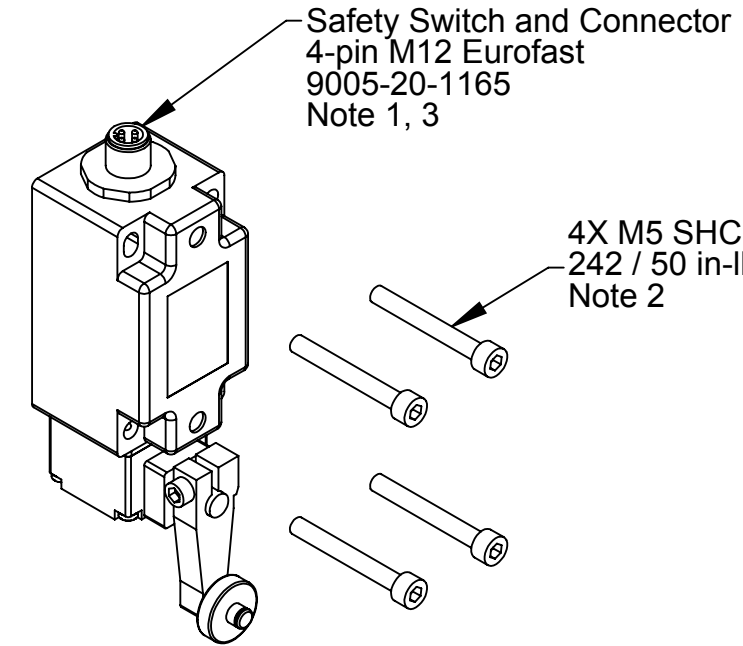
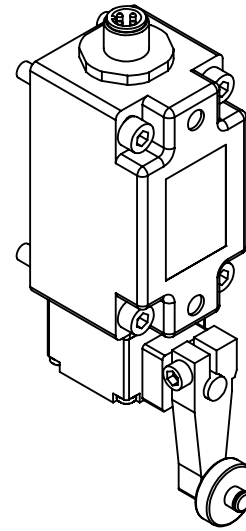
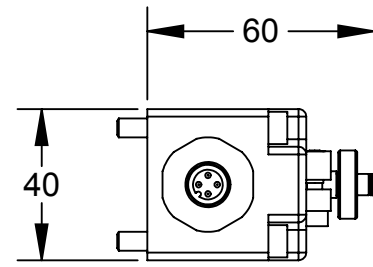


Rev.	Description	Initiator	Date
01	Initial Drawing	JMW	02/17/2014



Notes:

1. Fasteners and switch shipped loose. To be installed by customer.
2. Customer to use Loctite or similar thread locker and torque to listed torque value.
3. Customer to orient switch arm as needed.


NOTES: UNLESS OTHERWISE SPECIFIED.

DO NOT SCALE DRAWING. ALL DIMENSIONS ARE IN MILLIMETERS.



3rd ANGLE PROJECTION

ITEM NO.	QTY.	PART NUMBER	DESCRIPTION
1	1	9120-TSL-SS-6077	TSL Switch Kit for Master Side TSI



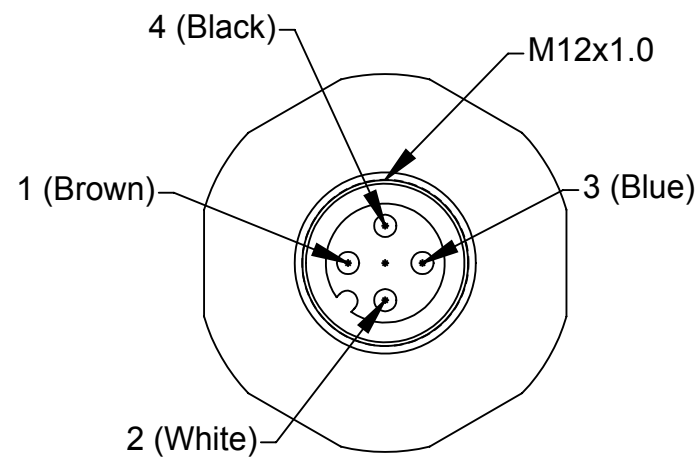
**ATI INDUSTRIAL
AUTOMATION**

1031 Goodworth Drive, Apex, NC 27539, USA
 Tel: +1.919.772.0115 Email: info@ati-ia.com
 Fax: +1.919.772.8259 www.ati-ia.com
 ISO 9001 Registered Company

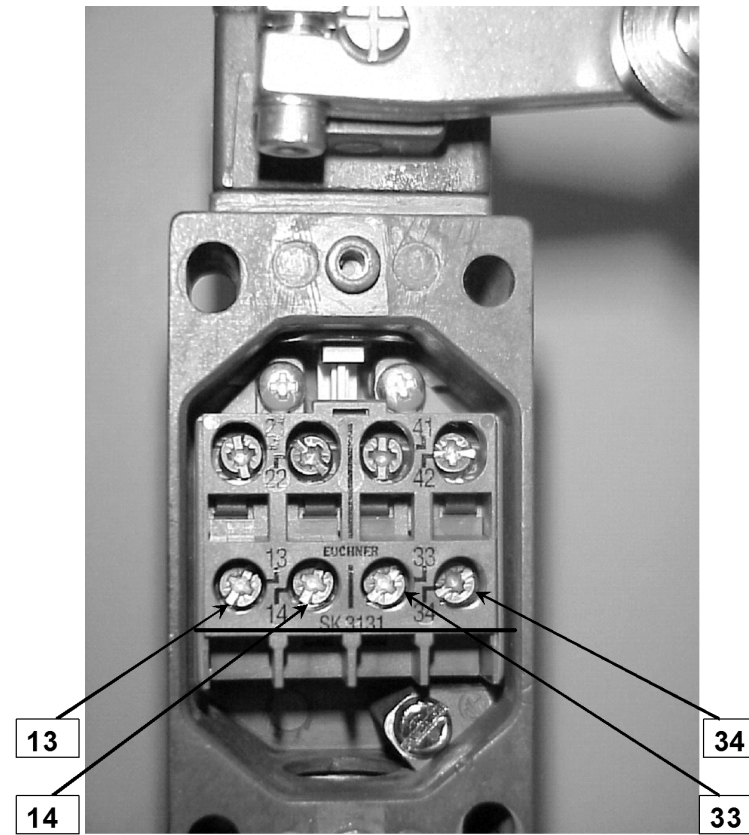
PROPERTY OF ATI INDUSTRIAL AUTOMATION, INC. NOT TO BE REPRODUCED IN ANY MANNER EXCEPT ON ORDER OR WITH PRIOR WRITTEN AUTHORIZATION OF ATI.

DRAWN BY: J. Winterroth, 2/17/14		TITLE	
CHECKED BY: D. Norton, 2/18/14		TSL Switch Kit for Master Side TSI	
PROJECT # -	SHEET 1 OF 2	SCALE	DRAWING NUMBER
		1:2	9630-20-TSL-SS-6077
		SIZE	REVISION
		B	01

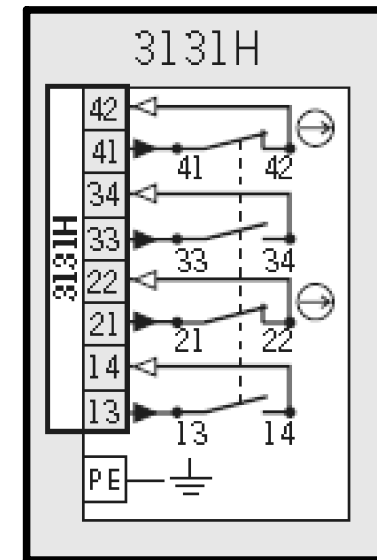
Rev.	Description	Initiator	Date
-	See Sheet1	-	-



Face View
Part #1510-1313006-04
4-Pin Male Eurofast Receptacle



Wiring Diagram (switch not actuated)



Pin #:	Wire Color	Contact Type (Group)	Internal switch #:
Pin 1	Brown	N.O. (Pin 1 & 4)	13
Pin 2	White	N.O. (Pin 2 & 3)	33
Pin 3	Blue	N.O. (Pin 2 & 3)	34
Pin 4	Black	N.O. (Pin 1 & 4)	14

NOTES: UNLESS OTHERWISE SPECIFIED.

DO NOT SCALE DRAWING. ALL DIMENSIONS ARE IN MILLIMETERS.



3rd ANGLE PROJECTION



1031 Goodworth Drive, Apex, NC 27539, USA
Tel: +1.919.772.0115 Email: info@ati-ia.com
Fax: +1.919.772.8259 www.ati-ia.com
ISO 9001 Registered Company

PROPERTY OF ATI INDUSTRIAL AUTOMATION, INC. NOT TO BE REPRODUCED IN ANY MANNER EXCEPT ON ORDER OR WITH PRIOR WRITTEN AUTHORIZATION OF ATI.

DRAWN BY: J. Winterroth, 2/17/14		TITLE	
CHECKED BY: D. Norton, 2/18/14		TSL Switch Kit for Master Side TSI	
PROJECT # -	SHEET 2 OF 2	SCALE 1:2	SIZE B
		DRAWING NUMBER	REVISION
		9630-20-TSL-SS-6077	01